

Coupling mechanism:
Connecting and disconnecting by pulling back the sleeve.

Technical data

Material:

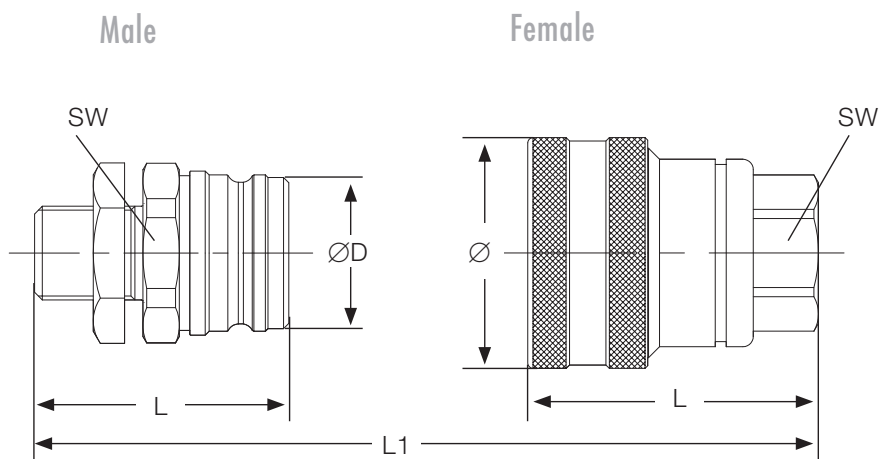
Housing: High grade steel
Seal: NBR
Backup ring: PTFE

Surface:

Material: Zinc coated
White rust resistance: 96 h
Red rust resistance: 200 h

Temperature range:

-20 °C to +125 °C



Type	Size		Connection			Dimension					
	Inch	DN	Form of thread	Bulkhead connection	Connection thread	Pipe-Ø (mm)	Length L (mm)	Length coupled L ₁ (mm)	Diameter ØD (mm)	Hexagon SW (mm)	Article Number
Female	BSP – DIN 3852										
	1/2"	12	female	-	3/8"	12L	56	-	44	27	VC-BC-IG3/8BSP12M
	1/2"	12	female	-	1/2"	12L	56	-	44	27	VC-BC-IG1/2BSP12M
Female	Metric – ISO 8431-1										
	1/2"	12	female	-	M 18 x 1,5	12L	56	-	44	27	VC-BC-IG18M12M

Male	Metric Bulkhead – ISO 8431-1										
	1/2"	12	male	M 18 x 1,5	M 18 x 1,5	12L	51	91,5	30	32	VC-BC-CELS12-12S
	1/2"	12	male	M 20 x 1,5	M 20 x 1,5	12S	51	91,5	30	32	VC-BC-CESS12-12S
	1/2"	12	male	M 22 x 1,5	M 22 x 1,5	15L	51	91,5	30	32	VC-BC-CELS15-12S
	1/2"	12	male	M 20 x 1,5	M 16 x 1,5	10L	52	91,0	30	32	VC-BC16-20CELS10-12S
	1/2"	12	male	M 20 x 1,5	M 18 x 1,5	12L	52	91,0	30	32	VC-BC18-20CELS12-12S
Male	BSP – DIN 3852										
	1/2"	12	male	-	1/2"	12L	48	88,5	30	32	VC-BC-AG1/2BSP12S

Performance data

Size	Working pressure	Flow rate at a pressure drop of 2 bar	Burst pressure		
			Male	Female	Coupled
Inch	(bar)	(l/min)	(bar)	(bar)	(bar)
1/2"	150	42	900	620	930

*Subject to technical modifications

Accessories



	Article Number
Dust protection for male coupling (plastic) for 1/2" (DN12) according to ISO 5676 and NFU16006	VC-BC-DP-PL-S
Dust protection for female coupling (steel) for 1/2" (DN12) according to ISO 5676 and NFU16006	VC-BC-DP-ST-M

Tipp! ValCon® quick-release couplings always ensure a **security factor** (ratio of burst pressure to working pressure) of at least **4-fold safety!**

Scope of delivery

- Thread protection