

Coupling mechanism:

Connecting without movement of the sleeve (one-hand operation possible), disconnecting by pulling back the sleeve.

*Subject to technical modifications

Technical data

Material:

Housing: High grade steel

Seal: NBR

Backup ring: PTFE

Surface:

Material: Chrome 3 Plus, zinc coated

White rust

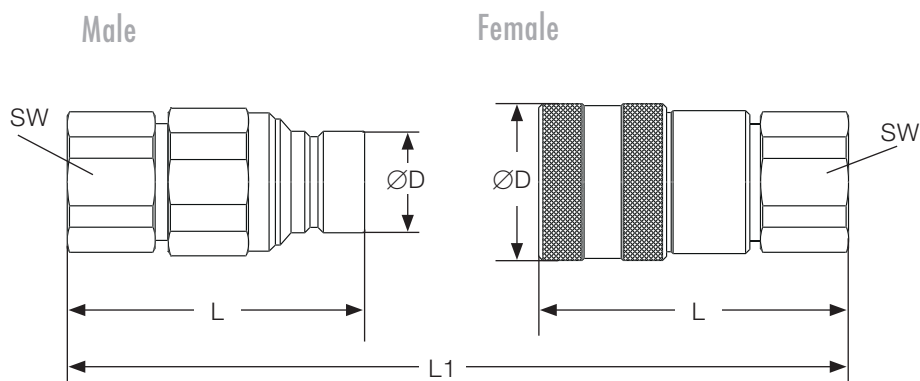
resistance: 200 h

Red rust

resistance: 400 h

Temperature range:

-20 °C to +100 °C



Type	Size		Connection		Dimension				
	Inch	DN	Form of thread	Thread	Length L (mm)	Length coupled L ₁ (mm)	Diameter Ø D (mm)	Hexagon SW (mm)	Article Number
Female	1/4"	06	female	1/4" BSP	58,2	96,3	28	20	VC-FF-IG1/4-06M
	3/8"	10	female	3/8" BSP	68,2	108,4	32	24	VC-FF-IG3/8-10M
	3/8"	10	female	1/2" BSP	72,5	116,2	32	27	VC-FF-IG1/2-10M
	1/2"	12	female	1/2" BSP	75,0	129,3	38	32	VC-FF-IG1/2-12M
	1/2"	12	female	3/4" BSP	79,0	137,3	38	36	VC-FF-IG3/4-12M
	3/4"	16	female	3/4" BSP	75,5	138,0	27	37	VC-FF-IG3/4-16M
	1"	20	female	1" BSP	93,8	172,1	30	41	VC-FF-IG1-20M
Male	1/4"	06	female	1/4" BSP	49,2	96,3	16,2	20	VC-FF-IG1/4-06S
	3/8"	10	female	3/8" BSP	55,8	108,4	19,8	24	VC-FF-IG3/8-10S
	3/8"	10	female	1/2" BSP	59,8	116,2	19,8	27	VC-FF-IG1/2-10S
	1/2"	12	female	1/2" BSP	72,0	129,3	24,6	32	VC-FF-IG1/2-12S
	1/2"	12	female	3/4" BSP	76,0	137,3	24,6	36	VC-FF-IG3/4-12S
	3/4"	16	female	3/4" BSP	75,5	138,0	27,0	37	VC-FF-IG3/4-16S
	1"	20	female	1" BSP	93,8	172,1	30,0	41	VC-FF-IG1-20S

Performance data

Size	Working pressure	Flow rate at a pressure drop of 2 bar	Burst pressure		
			Male	Female	Coupled
Inch	(bar)	(l/min)	(bar)	(bar)	(bar)
1/4"	350	10	1.400	1.400	1.400
3/8"	300	30	1.200	1.200	1.200
1/2"	300	60	1.200	1.200	1.200
3/4"	250	120	1.000	1.000	1.000
1"	250	200	1.000	1.000	1.000

Accessories

	DN	Size	Inch	Article Number
Dust protection for male couplings (plastic, red)	6	4	1/4"	VC-FF-DP14-S
	10	6	3/8"	VC-FF-DP38-S
	12	8	1/2"	VC-FF-DP12-S
	20	12	3/4"	VC-FF-DP34-S
	25	16	1"	VC-FF-DP1-S
Dust protection for female couplings (plastic, red)	6	4	1/4"	VC-FF-DP14-M
	10	6	3/8"	VC-FF-DP38-M
	12	8	1/2"	VC-FF-DP12-M
	20	12	3/4"	VC-FF-DP34-M
	25	16	1"	VC-FF-DP1-M

Tip! ValCon® screw couplings always ensure a **security factor** (ratio of burst pressure to working pressure) of at least **3-fold safety!**

ValCon
QUALITY HYDRAULICS