

# QUICK-RELEASE COUPLING

Trailer brake coupling

ISO 5676 and NFU 16006

**VC-BC**



powerful · precise · guaranteed

  
**ValCon**<sup>®</sup>  
QUALITY HYDRAULICS

# QUICK-RELEASE COUPLING

Trailer brake coupling

ISO 5676 and NFU 16006

**VC-BC**



Male



Female



## Advantages

- Prevention of air entrapment in the hydraulic system plus minimum oil loss during the uncoupling process by means of flat valve technology.
- Absolute tightness as of the first pressure application thanks to the use of tried and tested elastic sealing components.
- Easy to clean by wiping the coupling surfaces.
- Durability and reduction of wear and tear of the plug by increased number of locking balls.
- User-friendly one-handed operation.

## Main fields of application



## Interchangeability

- **Faster** / VF
- **DNP** / PFT
- **Stucchi** / IFR
- **Voswinkel** / BP
- **Parker** / 5676

**Coupling mechanism:**  
Connecting and disconnecting by pulling back the sleeve.

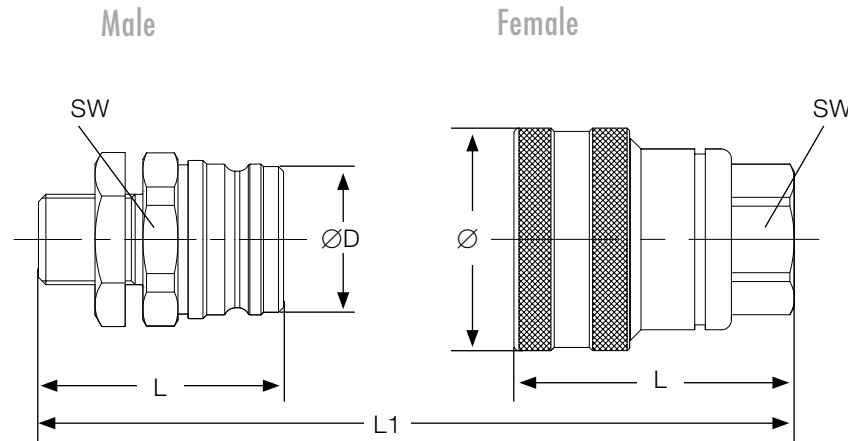
\*Subject to technical modifications

## Technical data

**Material:**  
Housing: High grade steel  
Seal: NBR  
Backup ring: PTFE

**Surface:**  
Material: Zinc coated  
White rust resistance: 96 h  
Red rust resistance: 200 h

**Temperature range:**  
-20 °C to +125 °C



Type	Size		Connection			Dimension					
	Inch	DN	Form of thread	Bulkhead connection	Connection thread	Pipe-Ø (mm)	Length L (mm)	Length coupled L <sub>1</sub> (mm)	Diameter ØD (mm)	Hexagon SW (mm)	Article Number
Female	BSP – DIN 3852										
	1/2"	12	female	-	3/8"	12L	56	-	44	27	VC-BC-IG3/8BSP12M
	1/2"	12	female	-	1/2"	12L	56	-	44	27	VC-BC-IG1/2BSP12M
Male	Metric – ISO 8431-1										
	1/2"	12	female	-	M 18 x 1,5	12L	56	-	44	27	VC-BC-IG18M12M
	Metric Bulkhead – ISO 8431-1										
	1/2"	12	male	M 18 x 1,5	M 18 x 1,5	12L	51	91,5	30	32	VC-BC-CELS12-12S
	1/2"	12	male	M 20 x 1,5	M 20 x 1,5	12S	51	91,5	30	32	VC-BC-CESS12-12S
1/2"	12	male	M 22 x 1,5	M 22 x 1,5	15L	51	91,5	30	32	VC-BC-CELS15-12S	
1/2"	12	male	M 20 x 1,5	M 16 x 1,5	10L	52	91,0	30	32	VC-BC16-20CELS10-12S	
1/2"	12	male	M 20 x 1,5	M 18 x 1,5	12L	52	91,0	30	32	VC-BC18-20CELS12-12S	
Male	BSP – DIN 3852										
	1/2"	12	male	-	1/2"	12L	48	88,5	30	32	VC-BC-AG1/2BSP12S

## Performance data

Size	Working pressure	Flow rate at a pressure drop of 2 bar	Burst pressure		
			Male	Female	Coupled
Inch	(bar)	(l/min)	(bar)	(bar)	(bar)
1/2"	150	42	900	620	930

## Accessories



	Article Number
Dust protection for male coupling (plastic) for 1/2" (DN12) according to ISO 5676 and NFU16006	VC-BC-DP-PLS
Dust protection for female coupling (steel) for 1/2" (DN12) according to ISO 5676 and NFU16006	VC-BC-DP-ST-M

**Tipp!** ValCon® quick-release couplings always ensure a **security factor** (ratio of burst pressure to working pressure) of at least **4-fold safety!**

## Scope of delivery

- Thread protection

**ValCon**  
QUALITY HYDRAULICS

# VALCON QUALITY HYDRAULICS

ValCon® stands for high-quality hydraulic products in original equipment quality for a worldwide use. Precision, reliability and high-quality processing are special trademarks of ValCon®.

ValCon® products are developed and tested in collaboration with customers from the original equipment sector and international trade.

The result: An outstanding orientation on praxis.

A comprehensive quality assurance guarantees maximum reliability for ValCon® products.

ValCon® Quality Hydraulics – powerful, precise, guaranteed.



Management  
System  
ISO 9001:2008

www.tuv.com  
ID 9105030851

**powerful · precise · guaranteed**

## Available at

Indunorm Hydraulik GmbH  
Oderstraße 3  
47506 Neukirchen-Vluyn  
Germany

Tel.: +49 2845 2950-0  
Fax: +49 2845 2950-280  
E-Mail: [info@indunorm.de](mailto:info@indunorm.de)  
[www.valcon-hydraulics.com](http://www.valcon-hydraulics.com)

  
**ValCon**®  
QUALITY HYDRAULICS