

SCREW-TO-CONNECT COUPLING

High pressure screw coupling

ISO 14541

VC-HDS



powerful · precise · guaranteed


ValCon®
QUALITY HYDRAULICS

SCREW-TO-CONNECT COUPLING

High pressure screw coupling

ISO 14541

VC-HDS



Male

Female

ValCon[®]
QUALITY HYDRAULICS

Advantages

- Suitable for operation under the toughest conditions due to robust construction and stable valve.
- Practicable connecting and disconnecting by means of wrenches with hexagon sleeves (sizes 1" and 1.1/4").
- Durability due to use of high-quality materials and components as well as hardening of highly stressed areas.
- High energy efficiency with low pressure drop and high flow rate due to flow-optimised construction.
- Versatile application due to guaranteed compatibility with the models of all renowned manufacturers.

Main fields of application



Tip! ValCon[®] screw couplings always ensure a **security factor** (ratio of burst pressure to operating pressure) of at least **3-fold safety!**

Interchangeability

- Parker / QHPA
- Voswinkel / HS
- DNP / PVV3
- Faster / CVW
- Stucchi / VD
- TCH Contitec / 60

Scope of delivery

- Thread protection

Coupling mechanism:

Connecting and disconnecting by screwing and unscrewing male and female couply.

*Subject to technical modifications

Technical data

Material:

Housing: High grade steel

Seal: NBR

Backup ring: PTFE

Surface:

Material: Chrome 3, zinc coated

White rust

resistance: 100 h

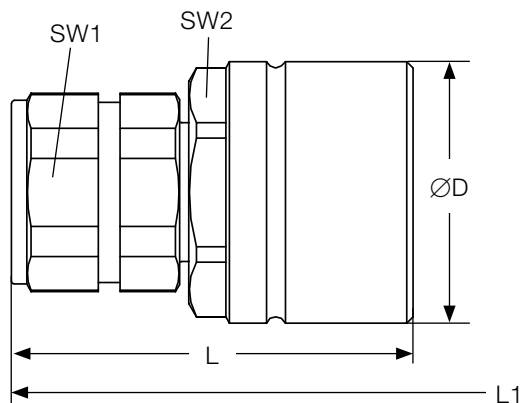
Red rust

resistance: 400 h

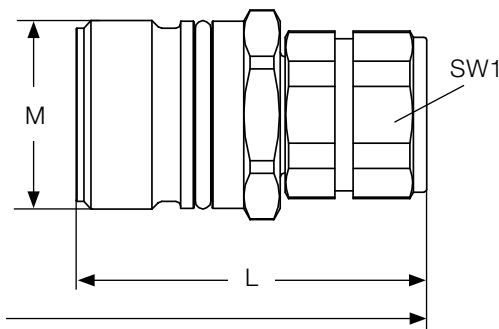
Temperature range:

-20 °C to +100 °C

Male



Female



Type	Size		Connection			Dimension				
	Inch	DN	Form of thread	Thread	Pipe-Ø (mm)	Length L (mm)	Length coupled L ₁ (mm)	Diameter ØD (mm)	Hexagon SW ₁ /SW ₂ (mm)	Article Number
Male	BSP – DIN 3852									
	3/8"	10	female	3/8" BSP	-	61,2	92,3	34,0	22/30	VC-HDS2-IG3/8BSP10S
	1/2"	12	female	3/8" BSP	-	64,5	103,5	42,0	30/36	VC-HDS3-IG3/8BSP12S
	1/2"	12	female	1/2" BSP	-	64,5	103,5	42,0	30/36	VC-HDS3-IG1/2BSP12S
	3/4"	20	female	1/2" BSP	-	76,5	128,5	47,5	36/41	VC-HDS4-IG1/2BSP20S
	3/4"	20	female	3/4" BSP	-	78,5	132,5	47,5	36/41	VC-HDS4-IG3/4BSP20S
	1"	25	female	3/4" BSP	-	87,5	152,5	60,0	41/55	VC-HDS6-IG3/4BSP25S
	1"	25	female	1" BSP	-	87,5	152,5	60,0	41/55	VC-HDS6-IG1BSP25S
	1.1/4"	32	female	1.1/2" BSP	-	116,0	189,5	86,0	55/80	VC-HDS8IG1.1/2BSP32S
	1/2"	12	male	1/2" BSP	-	68,5	111,5	42,0	30/36	VC-HDS3-AG1/2BSP12S
	Metric – ISO 8434-1									
	3/8"	10	male	M 16 x 1,5	10L	60,0	95,9	34,0	22/30	VC-HDS2-CEL10-10S
	1/2"	12	male	M 16 x 1,5	10L	62,5	99,5	42,0	30/36	VC-HDS3-CEL10-12S
	1/2"	12	male	M 18 x 1,5	12L	62,5	99,5	42,0	30/36	VC-HDS3-CEL12-12S
	1/2"	12	male	M 22 x 1,5	15L	63,5	101,5	42,0	30/36	VC-HDS3-CEL15-12S
	3/4"	20	male	M 18 x 1,5	12L	74,0	123,5	47,5	36/41	VC-HDS4-CEL12-20S
	3/4"	20	male	M 22 x 1,5	15L	75,0	125,5	47,5	36/41	VC-HDS4-CEL15-20S
	1"	25	male	M 26 x 1,5	18L	80,5	138,5	60,0	41/55	VC-HDS6-CEL18-25S
	1"	25	male	M 30 x 2,0	22L	82,5	142,5	60,0	41/55	VC-HDS6-CEL22-25S
	1"	25	male	M 36 x 2,0	28L	82,5	142,5	60,0	41/55	VC-HDS6-CEL28-25S
	3/8"	10	male	M 20 x 1,5	12S	63,8	97,9	34,0	22/30	VC-HDS2-CES12-10S
	1/2"	12	male	M 20 x 1,5	12S	63,5	101,5	42,0	30/36	VC-HDS3-CES12-12S
	1/2"	12	male	M 24 x 1,5	16S	65,5	105,5	42,0	30/36	VC-HDS3-CES16-12S
	3/4"	20	male	M 24 x 1,5	16S	77,0	129,5	47,5	36/41	VC-HDS4-CES16-20S
	1"	25	male	M 30 x 2,0	20S	84,5	146,5	60,0	41/55	VC-HDS6-CES20-25S
	1"	25	male	M 42 x 2,0	30S	88,5	154,5	60,0	46/55	VC-HDS6-CES30-25S
	1.1/4"	32	male	M 42 x 2,0	30S	117,0	191,5	86,0	55/80	VC-HDS8-CES30-32S
	Metric Bulkhead – ISO 8434-1									
	3/8"	10	male	M 16 x 1,5	10L	75,0	125,9	34,0	22/30	VC-HDS2-CELS10-10S
	1/2"	12	male	M 16 x 1,5	10L	77,5	129,5	42,0	30/36	VC-HDS3-CELS10-12S
1/2"	12	male	M 18 x 1,5	12L	77,5	129,5	42,0	30/36	VC-HDS3-CELS12-12S	
1/2"	12	male	M 22 x 1,5	15L	78,5	131,5	42,0	30/36	VC-HDS3-CELS15-12S	
3/4"	20	male	M 22 x 1,5	15L	90,0	155,5	47,5	36/41	VC-HDS4-CELS15-20S	
1/2"	12	male	M 20 x 1,5	12S	78,5	131,5	42,0	30/36	VC-HDS3-CESS12-12S	
1/2"	12	male	M 24 x 1,5	16S	80,5	135,5	42,0	30/36	VC-HDS3-CESS16-12S	
1"	25	male	M 30 x 2,0	20S	105,0	187,0	60,0	41/55	VC-HDS6-CESS20-25S	
1"	25	male	M 36 x 2,0	25S	107,0	191,0	60,0	41/55	VC-HDS6-CESS25-25S	
1"	25	male	M 42 x 2,0	30S	109,0	195,0	60,0	46/55	VC-HDS6-CESS30-25S	

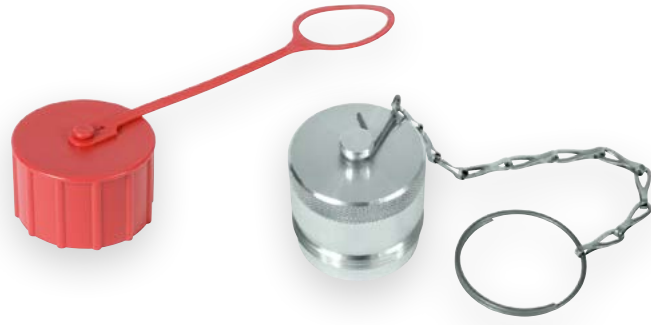
Type	Size		Connection			Dimension					Article Number
	Inch	DN	Form of thread	Thread	Pipe-Ø (mm)	Length L (mm)	Length coupled L ₁ (mm)	Diameter Ø D (mm)	Hexagon SW ₁ (mm)		
Female	BSP – DIN 3852										
	3/8"	10	female	3/8" BSP	-	64,0	92,3	M 28 x 2	22	VC-HDS2-IG3/8BSP10M	
	1/2"	12	female	3/8" BSP	-	67,0	103,5	M 36 x 2	30	VC-HDS3-IG3/8BSP12M	
	1/2"	12	female	1/2" BSP	-	67,0	103,5	M 36 x 2	30	VC-HDS3-IG1/2BSP12M	
	3/4"	20	female	1/2" BSP	-	83,5	128,5	M 42 x 2	36	VC-HDS4-IG1/2BSP20M	
	3/4"	20	female	3/4" BSP	-	85,5	132,5	M 42 x 2	36	VC-HDS4-IG3/4BSP20M	
	1"	25	female	3/4" BSP	-	100,0	152,5	M 48 x 3	41	VC-HDS6-IG3/4BSP25M	
	1"	25	female	1" BSP	-	100,0	152,5	M 48 x 4	41	VC-HDS6-IG1BSP25M	
	1.1/4"	32	female	1.1/2" BSP	-	120,7	189,5	M 70 x 3	55	VC-HDS8IG1.1/2BSP32M	
	1/2"	12	male	1/2" BSP	-	71,0	111,5	M 36 x 2	30	VC-HDS3-AG1/2BSP12M	
	Metric – ISO 8434-1										
	3/8"	10	male	M 16 x 1,5	10L	62,8	95,9	M 28 x 2	22	VC-HDS2-CEL10-10M	
	1/2"	12	male	M 16 x 1,5	10L	65,0	99,5	M 36 x 2	30	VC-HDS3-CEL10-12M	
	1/2"	12	male	M 18 x 1,5	12L	65,0	99,5	M 36 x 2	30	VC-HDS3-CEL12-12M	
	1/2"	12	male	M 22 x 1,5	15L	66,0	101,5	M 36 x 2	30	VC-HDS3-CEL15-12M	
	3/4"	20	male	M 18 x 1,5	12L	81,0	123,5	M 42 x 2	36	VC-HDS4-CEL12-20M	
	3/4"	20	male	M 22 x 1,5	15L	82,0	125,5	M 42 x 2	36	VC-HDS4-CEL15-20M	
	1"	25	male	M 26 x 1,5	18L	93,0	138,5	M 48 x 3	41	VC-HDS6-CEL18-25M	
	1"	25	male	M 30 x 2,0	22L	95,0	142,5	M 48 x 3	41	VC-HDS6-CEL22-25M	
	1"	25	male	M 36 x 2,0	28L	95,0	142,5	M 48 x 3	41	VC-HDS6-CEL28-25M	
	3/8"	10	male	M 20 x 1,5	12S	63,8	97,9	M 28 x 2	22	VC-HDS2-CES12-10M	
	1/2"	12	male	M 20 x 1,5	12S	66,0	101,5	M 36 x 2	30	VC-HDS3-CES12-12M	
	1/2"	12	male	M 24 x 1,5	16S	68,0	105,5	M 36 x 2	30	VC-HDS3-CES16-12M	
	3/4"	20	male	M 24 x 1,5	16S	84,0	129,5	M 42 x 2	36	VC-HDS4-CES16-20M	
	1"	25	male	M 30 x 2,0	20S	97,0	146,5	M 48 x 3	41	VC-HDS6-CES20-25M	
	1"	25	male	M 42 x 2,0	30S	101,0	154,5	M 48 x 3	46	VC-HDS6-CES30-25M	
	1.1/4"	32	male	M 42 x 2,0	30S	121,7	191,5	M 70 x 3	55	VC-HDS8-CES30-32M	
	Metric Bulkhead – ISO 8434-1										
	3/8"	10	male	M 16 x 1,5	10L	77,8	125,9	M 28 x 2	22	VC-HDS2-CELS10-10M	
	1/2"	12	male	M 16 x 1,5	10L	80,0	129,5	M 36 x 2	30	VC-HDS3-CELS10-12M	
	1/2"	12	male	M 18 x 1,5	12L	80,0	129,5	M 36 x 2	30	VC-HDS3-CELS12-12M	
	1/2"	12	male	M 22 x 1,5	15L	81,0	131,5	M 36 x 2	30	VC-HDS3-CELS15-12M	
	3/4"	20	male	M 22 x 1,5	15L	97,0	155,5	M 42 x 2	36	VC-HDS4-CELS15-20M	
	1/2"	12	male	M 20 x 1,5	12S	81,0	131,5	M 36 x 2	30	VC-HDS3-CESS12-12M	
	1/2"	12	male	M 24 x 1,5	16S	83,0	135,5	M 36 x 2	30	VC-HDS3-CESS16-12M	
	1"	25	male	M 30 x 2,0	20S	117,0	187,0	M 48 x 3	41	VC-HDS6-CESS20-25M	
1"	25	male	M 36 x 2,0	25S	119,0	191,0	M 48 x 3	41	VC-HDS6-CESS25-25M		
1"	25	male	M 42 x 2,0	30S	121,0	195,0	M 48 x 3	46	VC-HDS6-CESS30-25M		

Performance data

Size	Working pressure	Flow rate at a pressure drop of 2 bar	Burst pressure		
			Male	Female	Coupled
Zoll	(bar)	(l/min)	(bar)	(bar)	(bar)
3/8"	430	46	1.300	1.300	1.300
1/2"	400	65	1.200	1.200	1.200
3/4"	330	100	1.000	1.000	1.000
1"	330	180	1.000	1.000	1.000
1.1/4"	330	450	1.000	1.000	1.000

Accessories

■ Dust protection for female coupling



Size	Colour	Material	Article Number
2	red	plastic	TMVSK2
2	-	aluminium	TMVSK2A
3	red	plastic	TMVSK3
3	-	aluminium	TMVSK3A
4	red	plastic	TMVSK4
4	-	aluminium	TMVSK4A
6	red	plastic	TMVSK6
6	-	aluminium	TMVSK6A
8	red	plastic	TMVSK8
8	-	aluminium	TMVSK8A

■ Dust protection for male coupling



Size	Colour	Material	Article Number
2	red	plastic	TFVSK2
3	red	plastic	TFVSK3
3	-	aluminium	TFVSK3A
4	red	plastic	TFVSK4
4	-	aluminium	TFVSK4A
6	red	plastic	TFVSK6
6	-	aluminium	TFVSK6A
8	red	plastic	TFVSK8
8	-	aluminium	TFVSK8A

■ Sealings and backup-ring



DN	Size	Inch	Article Number
12	08	1/2	VC-HDS3-OR-KIT
20	12	3/4	VC-HDS4-OR-KIT
25	16	1	VC-HDS6-OR-KIT
40	24	1.1/2	VC-HDS8-OR-KIT

*Subject to technical modifications

VALCON QUALITY HYDRAULICS

ValCon® stands for high-quality hydraulic products in original equipment quality for a worldwide use. Precision, reliability and high-quality processing are special trademarks of ValCon®.

ValCon® products are developed and tested in collaboration with customers from the original equipment sector and international trade.

The result: An outstanding orientation on praxis.

A comprehensive quality assurance guarantees maximum reliability for ValCon® products.

ValCon® Quality Hydraulics – powerful, precise, guaranteed.



powerful · precise · guaranteed

Available at

Indunorm Hydraulik GmbH
Oderstraße 3
47506 Neukirchen-Vluyn
Germany
Tel.: +49 2845 2950-0
Fax: +49 2845 2950-280
E-Mail: info@indunorm.de
www.valcon-hydraulics.com


ValCon®
QUALITY HYDRAULICS