

QUICK-RELEASE COUPLING

ISO-A coupling

ISO 7241-1A

VC-ISO-A



powerful · precise · guaranteed


ValCon[®]
QUALITY HYDRAULICS

QUICK-RELEASE COUPLING

ISO-A coupling

ISO 7241-1A

VC-ISO-A



Male

Female

ValCon[®]
QUALITY HYDRAULICS

Advantages

- High energy efficiency with low pressure drop and high flow rate due to flow-optimised construction.
- High corrosion resistance due to high-quality galvanised surfaces (chrome 6 free).
- An additional backup ring protects the seal from being washed out.
- Durability due to use of high-quality materials and components as well as of highly stressed areas.
- Reliable functionality due to precisely adjusted valve spring forces — also in combination with products of other manufacturers.
- Prevention of hose torsion due to movement possibility in coupled position.

Main fields of application



Tip! In order to identify the ValCon[®] quick-release coupling series, it is recommended to use the plug diameter.

Interchangeability

- Parker / 6600
- Stucchi / BIR
- Faster / ANV
- DNP / PAV1

Scope of delivery

- Thread protection

Coupling mechanism:
Connecting and disconnecting by pulling back the sleeve.

*Subject to technical modifications

Technical data

Material:

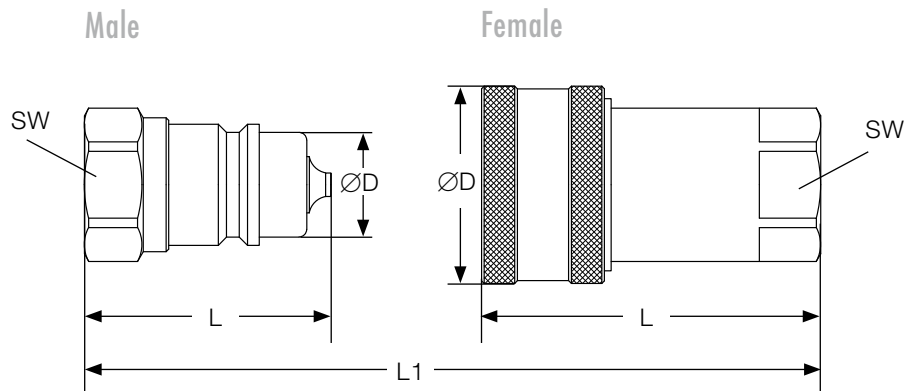
Housing: High grade steel
Seal: NBR
Backup ring: PTFE

Surface:

Material: Chrome 3 Plus, zinc coated
White rust resistance: 200 h
Red rust resistance: 400 h

Temperature range:

-20 °C to +100 °C



Type	Size		Connection		Dimension				
	Inch	DN	Form of thread	Thread	Length L (mm)	Length coupled L ₁ (mm)	Diameter ØD (mm)	Hexagon SW (mm)	Article Number
Female	1/4"	6	female	1/4" BSP	50	71	26,0	19	VC-ISO-A-IG1/4-06M
	3/8"	10	female	3/8" BSP	56	75	31,5	22	VC-ISO-A-IG3/8-10M
	1/2"	12	female	1/2" BSP	66	88	38,5	27	VC-ISO-A-IG1/2-12M
	3/4"	20	female	3/4" BSP	80	110	48,0	34	VC-ISO-A-IG3/4-20M
	1"	25	female	1" BSP	94	120	56,0	41	VC-ISO-A-IG1-25M
Male	1/4"	6	female	1/4" BSP	35,5	71	11,9	19	VC-ISO-A-IG1/4-06S
	3/8"	10	female	3/8" BSP	36,5	75	17,2	22	VC-ISO-A-IG3/8-10S
	1/2"	12	female	1/2" BSP	43,5	88	20,6	27	VC-ISO-A-IG1/2-12S
	3/4"	20	female	3/4" BSP	57,0	110	29,1	35	VC-ISO-A-IG3/4-20S
	1"	25	female	1" BSP	59,5	120	34,3	41	VC-ISO-A-IG1-25S

Performance data

Size	Working pressure	Flow rate at a pressure drop of 2 bar	Burst pressure		
			Male	Female	Coupled
Inch	(bar)	(l/min)	(bar)	(bar)	(bar)
1/4"	350	8	1.400	1.400	1.400
3/8"	300	28	1.200	1.200	1.200
1/2"	300	50	1.200	1.200	1.200
3/4"	250	100	1.000	1.000	1.000
1"	250	180	1.000	1.000	1.000

Accessories



	Article Number
Dust protection for male coupling (plastic) for 1/2" (DN12) according to ISO 7241-1A	VC-PP-DP-RO-S
Dust protection for female coupling (plastic) for 1/2" (DN12) according to ISO 7241-1A	VC-PP-DP-RO-M
Socket for 1/2" (DN12) male coupling according to ISO 7241-1A	VC-PP-DS

Tip!

- 1/2" male coupling is compatible with the VC-PP and VC-NV series.
- ValCon® quick-release couplings always ensure a **security factor** (ratio of burst pressure to working pressure) of at least **4-fold safety!**



VALCON QUALITY HYDRAULICS

ValCon® stands for high-quality hydraulic products in original equipment quality for a worldwide use. Precision, reliability and high-quality processing are special trademarks of ValCon®.

ValCon® products are developed and tested in collaboration with customers from the original equipment sector and international trade.

The result: An outstanding orientation on praxis.

A comprehensive quality assurance guarantees maximum reliability for ValCon® products.

ValCon® Quality Hydraulics – powerful, precise, guaranteed.



Management
System
ISO 9001:2008

www.tuv.com
ID 9105030851

powerful · precise · guaranteed

Available at

Indunorm Hydraulik GmbH
Oderstraße 3
47506 Neukirchen-Vluyn
Germany

Tel.: +49 2845 2950-0
Fax: +49 2845 2950-280
E-Mail: info@indunorm.de
www.valcon-hydraulics.com


ValCon®
QUALITY HYDRAULICS