

BLOCK BALL VALVE

Shut-off ball valve

2/2 way

VC-KHB



powerful · precise · guaranteed


ValCon®
QUALITY HYDRAULICS

BLOCK BALL VALVE

Shut-off ball valve

2/2 way

VC-KHB

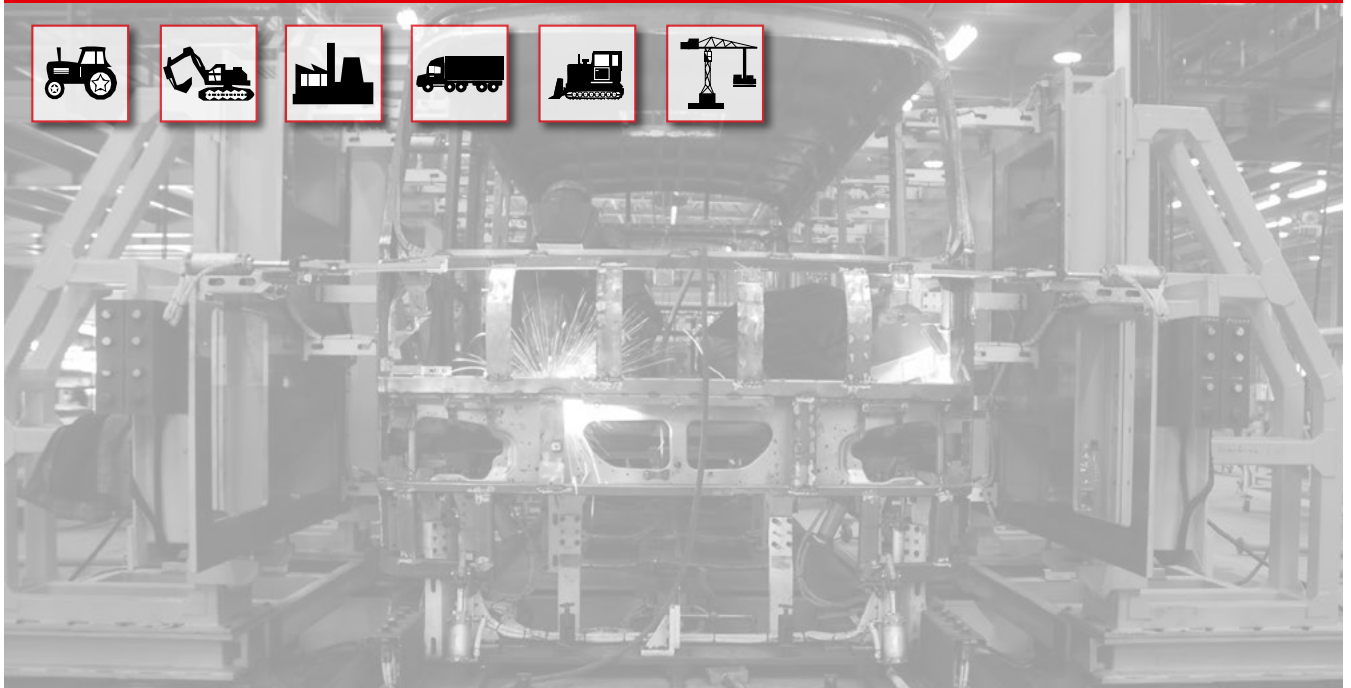


ValCon[®]
QUALITY HYDRAULICS

Advantages

- Versatile fastening possibilities due to integrated, threaded fastening holes (5 mm, M6).
- User-friendly operation due to ergonomically shaped handle.
- Precise operation due to optimally adjusted stem.
- Exclusion of unintended operation due to integrated locking device.
- Completely maintenance-free due to a floating ball embedded in the ball seats.
- Absolutely leak-tight due to preloaded ball seats – also in case of low pressure and vacuum.
- High corrosion resistance due to high-quality galvanised surface (chrome 6 free).

Main fields of application



Interchangeability

Interchangeable with products of renowned manufacturers such as Hydac, Pister, MHA-Zentgraf, Rötelmann etc.

Technical data

Material:

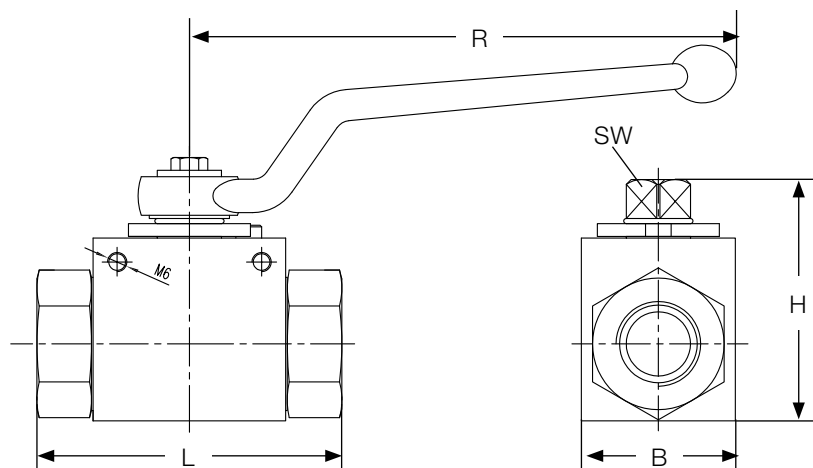
Body:	Steel
Ball:	Steel
Stem:	Steel
Ball seal:	POM
Stem seal:	NBR

Surface:

Material:	Chrome 3, zinc coated
White rust resistance:	90 h
Red rust resistance:	160 h

Temperature range:

-20 °C to +100 °C



Size		Connection		Dimension					Performance Data	
DN	Form	Thread	Pipe-Ø (mm)	Hexagon SW (mm)	Length L (mm)	Height H (mm)	Width B (mm)	Handle length R (mm)	Working pressure (bar)	Article Number
6	male	M 14 x 1,5	8 L	9	67	44,5	28	108	500	VC-KHB-8L-6
8	male	M 16 x 1,5	10 L	9	74	52,5	32	108	500	VC-KHB-10L-8
10	male	M 18 x 1,5	12 L	9	74	52,5	32	108	500	VC-KHB-12L-10
12	male	M 22 x 1,5	15 L	9	82	52,5	35	108	500	VC-KHB-15L-12
16	male	M 26 x 1,5	18 L	12	82	63,5	38	155	400	VC-KHB-18L-16
4	male	M 16 x 1,5	8 S	9	73	44,5	28	108	500	VC-KHB-8S-4
6	male	M 18 x 1,5	10 S	9	73	44,5	28	108	500	VC-KHB-10S-6
8	male	M 20 x 1,5	12 S	9	76	52,5	32	108	500	VC-KHB-12S-8
12	male	M 24 x 1,5	16 S	9	86	52,5	35	108	500	VC-KHB-16S-12
16	male	M 30 x 2,0	20 S	12	90	63,5	38	155	400	VC-KHB-20S-16
6	female	1/4" BSP	-	9	69	44,5	28	108	500	VC-KHB-G14I-6
10	female	3/8" BSP	-	9	72	52,5	32	108	500	VC-KHB-G38I-10
12	female	1/2" BSP	-	9	83	63,5	35	108	400	VC-KHB-G12I-12
20	female	3/4" BSP	-	14	95	75,0	48	170	315	VC-KHB-G34I-20
25	female	1" BSP	-	14	113	82,0	57	170	315	VC-KHB-G1I-25

Scope of delivery

- Handle
- Thread protection

VALCON QUALITY HYDRAULICS

ValCon® stands for high-quality hydraulic products in original equipment quality for a worldwide use. Precision, reliability and high-quality processing are special trademarks of ValCon®.

ValCon® products are developed and tested in collaboration with customers from the original equipment sector and international trade.

The result: An outstanding orientation on praxis.

A comprehensive quality assurance guarantees maximum reliability for ValCon® products.

ValCon® Quality Hydraulics – powerful, precise, guaranteed.



powerful · precise · guaranteed

Available at

Indunorm Hydraulik GmbH
Oderstraße 3
47506 Neukirchen-Vluyn
Germany

Tel.: +49 2845 2950-0
Fax: +49 2845 2950-280
E-Mail: info@indunorm.de
www.valcon-hydraulics.com


ValCon®
QUALITY HYDRAULICS