

BLOCK BALL VALVE
Directional ball valve
3/2 way with L-bore

VC-KHU3



powerful · precise · guaranteed


ValCon[®]
QUALITY HYDRAULICS

BLOCK BALL VALVE

Directional ball valve

3/2 way with L-bore

VC-KHU3

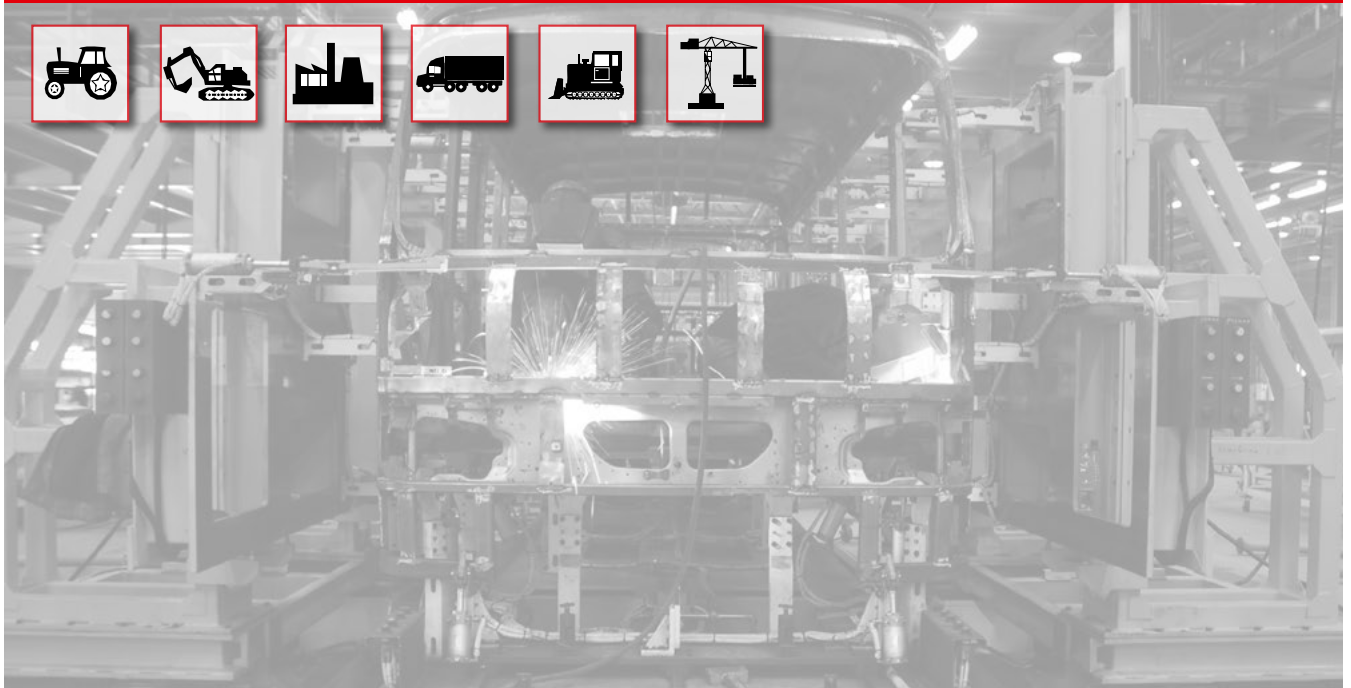


ValCon[®]
QUALITY HYDRAULICS

Advantages

- Versatile fastening possibilities due to integrated, threaded fastening holes (5 mm, M6).
- User-friendly operation due to ergonomically shaped handle.
- Precise operation due to optimally adjusted stem.
- Exclusion of unintended operation due to integrated locking device.
- Completely maintenance-free due to a floating ball embedded in the ball seats.
- Absolutely leak-tight due to preloaded ball seats – also in case of low pressure and vacuum.
- High corrosion resistance due to high-quality galvanised surface (chrome 6 free).

Main fields of application



Interchangeability

Interchangeable with products of renowned manufacturers such as Hydac, Pister, MHA-Zentgraf, Rötelmann etc.

Technical data

Material:

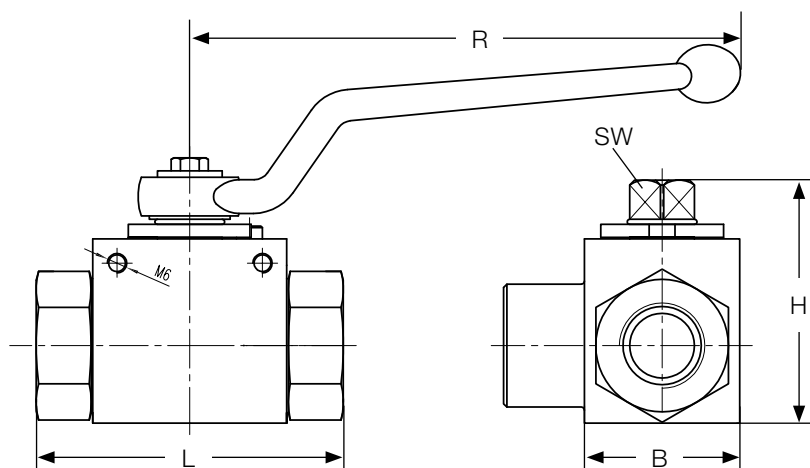
Body: Steel
 Ball: Steel
 Stem: Steel
 Ball seal: POM
 Stem seal: NBR

Surface:

Material: Chrome 3, zinc coated
 White rust resistance: 90 h
 Red rust resistance: 160 h

Temperature range:

-20 °C to +100 °C



Size	Connection			Dimension					Performance Data	Schematic		
DN	Form	Thread	Pipe-Ø (mm)	Hexagon SW (mm)	Length L (mm)	Height H (mm)	Width B (mm)	Handle length R (mm)	Working pressure (bar)	Type	Contact travel	Article Number
8	male	M 16 x 1,5	10	9	74	52,5	32	108	315	L	90°	VC-KHU3-10L-8-L
10	male	M 18 x 1,5	12	9	74	52,5	32	108	315	L	90°	VC-KHU3-12L-10-L
12	male	M 22 x 1,5	15	9	82	52,5	35	108	315	L	90°	VC-KHU3-15L-12-L
12	male	M 24 x 1,5	16	9	86	52,5	35	108	315	L	90°	VC-KHU3-16S-12-L
16	male	M 30 x 2,0	20	12	90	63,5	38	155	315	L	90°	VC-KHU3-20S-16-L
6	female	1/4" BSP	-	9	69	44,5	28	108	315	L	90°	VC-KHU3-G14F-6-L
10	female	3/8" BSP	-	9	72	52,5	32	108	315	L	90°	VC-KHU3-G38F-10-L
12	female	1/2" BSP	-	12	83	52,5	35	108	315	L	90°	VC-KHU3-G12F-12-L
20	female	3/4" BSP	-	14	95	75,0	48	170	315	L	90°	VC-KHU3-G34F-20-L
25	female	1" BSP	-	14	113	82,0	57	170	315	L	90°	VC-KHU3-G11-25L

Scope of delivery

- Handle
- Thread protection

VALCON QUALITY HYDRAULICS

ValCon® stands for high-quality hydraulic products in original equipment quality for a worldwide use. Precision, reliability and high-quality processing are special trademarks of ValCon®.

ValCon® products are developed and tested in collaboration with customers from the original equipment sector and international trade.

The result: An outstanding orientation on praxis.

A comprehensive quality assurance guarantees maximum reliability for ValCon® products.

ValCon® Quality Hydraulics – powerful, precise, guaranteed.



powerful · precise · guaranteed

Available at

Indunorm Hydraulik GmbH
Oderstraße 3
47506 Neukirchen-Vluyn
Germany

Tel.: +49 2845 2950-0
Fax: +49 2845 2950-280
E-Mail: info@indunorm.de
www.valcon-hydraulics.com


ValCon®
QUALITY HYDRAULICS